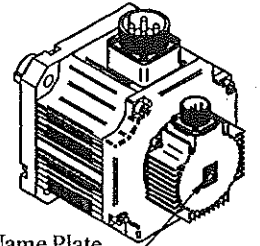


Model: JSMA-PIH30ABK

No.	Item	Symbol	Unit	Specification	No.	Item	Symbol	Unit	Specification
1	Drive	-	-	3 φ 220 VAC	13	Rotor Inertia	Jm	kg-cm ²	39.95±10%
2	Cooling Method	-	-	Totally Enclosed	14	Rated Power Rate	Q-R	Kw/s	91.32
3	Exciting Method	-	-	Permanent Magnet	15	Resistance	Ra	Ω	0.275±10%/2 φ
4	Resolution	-	-	2500 C/T	16	Inductance	L	mH	6.8±10%/2 φ
5	Rated Output	P-R	W	3000	17	Mech. Time Constant	Tm	ms	1.05±10%
6	Rated Torque	T-R	N-m	19.1	18	Elect. Time Constant	Te	ms	24.69±10%
7	Max. Torque	T-max	N-m	47.75	19	Insulation Class	-	-	Class F
8	Rated Speed	N-R	rpm	1500	20	Operation Temp.	T	°C	0-40
9	Rated Current	I-R	A	16	21	Operation Humd.	RH	%	<80
10	Max. Current	I-max	A	40	22	Storage Temp.	T	°C	-20°~60°
11	Torque Constant	Kt	N-m/A	1.19±10%	23	Storage Humd.	RH	%	<80
12	Voltage Constant	Ke	V/krpm	79.3±10%	24	Weight	W	kgw	16.9

Pin	Signal
B	+5V
I	0V
A	A/U
C	A/U
H	B/V
D	B/V
G	Z/W
E	Z/W
F	FG

Pin	Signal
A	U
B	V
C	W
D	FG



Encoder Wiring

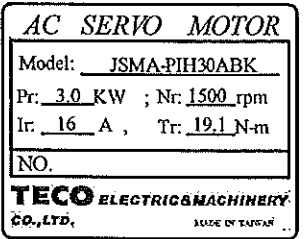
Motor Wiring

Name Plate for Notice

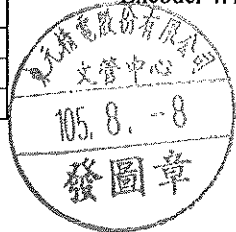
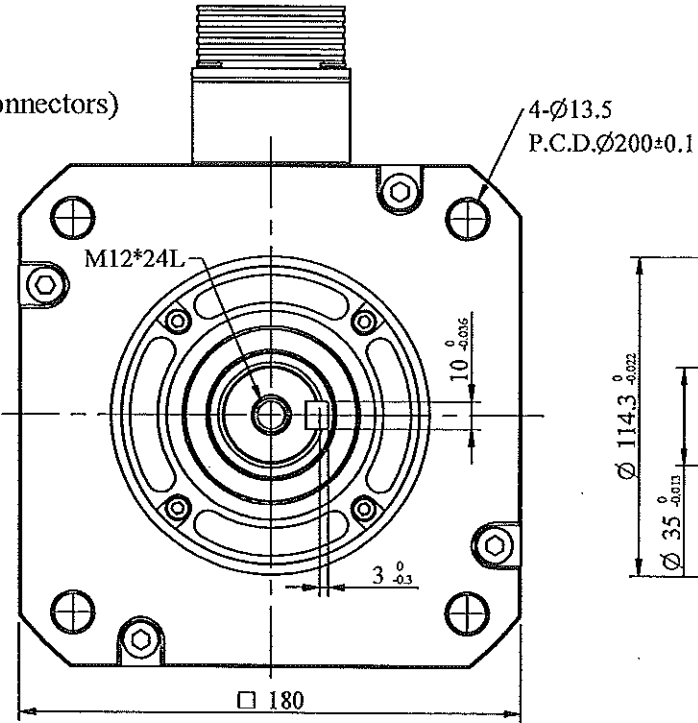
NOTE:
Motor to be IP67.
(excluding the shaft opening & connectors)



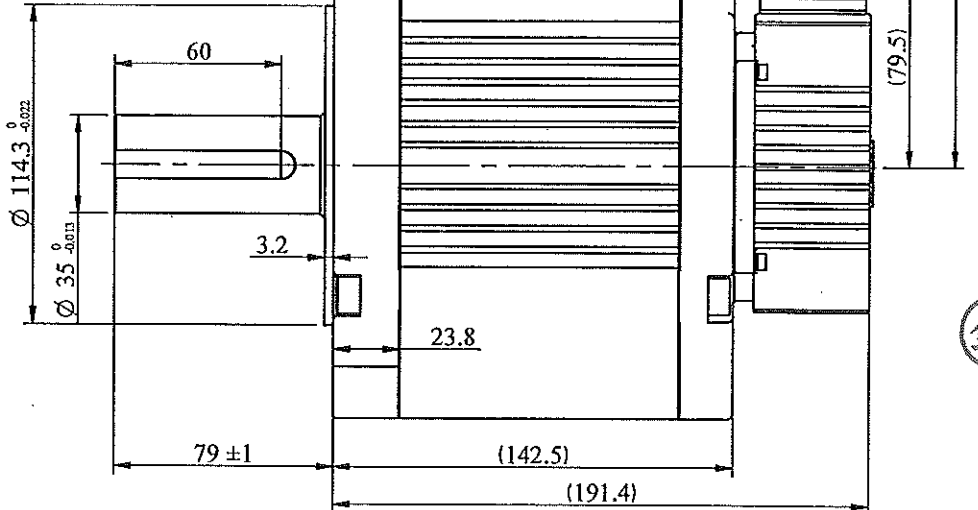
Name Plate for Notice



Name Plate for Spec



Name Plate for Spec



Military connector MS3 102A32-17P

Military connector MS3 102A20-18P

STANDARD TOLERANCE		APVD	SCALE	UNIT	NAME	Servo Motor Outline Drawing	
X	±0.5			mm		JSMA-PIH30ABK	
.X	±0.2		3RD .A.P				
.XX	±0.05						
ANGLE	±30'						
MATERIAL	REV	DESCRIPTION	SIGNATURE	DATE	SIGNATURE	DATE	DWG.NO. D01B18302H3NTAD01